

AM-R Series

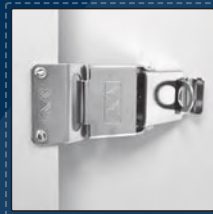
JIC SIZE JUNCTION BOXES

Cover Type

Raised Solid/Opaque

Closure Type

Snap Latch Hinged Cover



Application

Designed to insulate and protect controls and components in both indoor and outdoor applications often found in oil refineries, waste water treatment equipment, chemical plants, and many other applications

- Especially well suited for high temperature or corrosive environments
- Protects from dirt, dust, oil and water
- For use with industrial control equipment

Standards

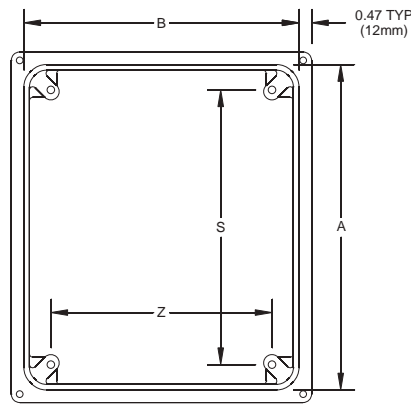
- UL 50 and UL 50E Types 1, 2, 3, 3R, 4, 4X, 12 and 13
- CSA C22.2 No. 94 Types 1, 2, 3, 3R, 4, 4X, 12 and 13
- Complies with:
 - NEMA Types 1, 2, 3, 3R, 4, 4X, 12 and 13
 - IEC 60529 Type IP66
 - RoHS directive

Construction

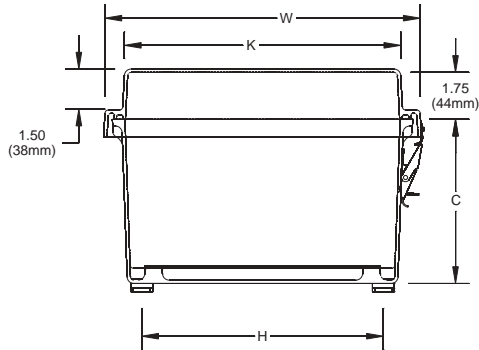
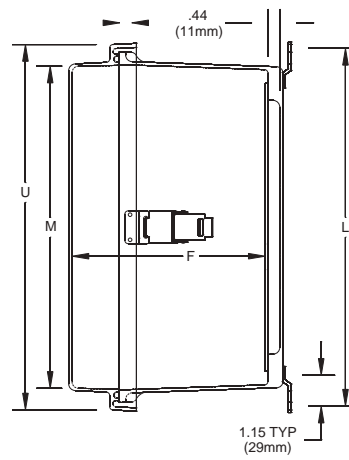
- Strong, molded ULTRAGUARD® fiberglass reinforced polyester material construction with matching raised cover
- 316 stainless steel snap latches feature padlock hasp (.375" dia.)
- Continuous 316 stainless steel hinge
- Formed-In-Place (FIP) polyurethane gasket system encased in continuous channel
- 316 stainless steel wall mounting feet with 10-32 stainless steel screws included
- #10-32 threaded brass inserts for optional back panel installation
- JIC sizes
- ULTRAGUARD® fiberglass material is easily punched, drilled, or sawed
- UV stabilized for outdoor use

Accessories & Modifications

- Optional back panels and hinged front panels
- Custom holes and cutouts
- Custom size polycarbonate viewing windows
- Hinge installed on short side
- Molded-in color matching
- EMI/RFI shielding
- Factory-supplied silk screening



Note: Cover removed for clarity



Nominal 1/8" (3mm) wall thickness

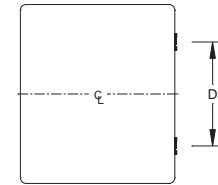
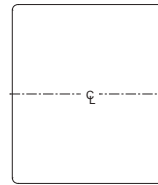
LATCH LOCATIONS

FOR USE ON:

- 6x6x4
- 8x6x4
- 10x8x4,6

FOR USE ON:

- 12x10x6 D=8.00 (203 mm)
- 12x12x4,6 D=8.00 (203 mm)
- 14x12x6 D=8.50 (216 mm)
- 16x14x8 D=8.61 (219 mm)
- 18x16x8 D=6.50 (165 mm)
- 20x16x8 D=10.52 (267 mm)



Part No.	Box Size			Usable Depth F	Panel Boss Centers		Panel Sizes			Foot Mount Centers		Cover Size			
	A	B	C		S	Z	Ht.	Wid.	P/N	H	L	K	M	U	W
AM664RL	6.10	6.10	4.18	5.29	4.25	4.25	4.81	4.81	PL66	5.01	7.32	6.08	6.08	7.69	7.69
	155mm	155mm	106mm	134mm	108mm	108mm	122mm	122mm	PLA66	127mm	186mm	154mm	154mm	195mm	195mm
AM864RL	8.00	6.13	4.14	5.21	6.25	4.25	6.75	4.88	PL86	5.02	9.20	7.71	7.98	9.59	7.71
	203mm	156mm	105mm	132mm	159mm	108mm	171mm	124mm	PLA86	127mm	234mm	196mm	203mm	244mm	196mm
AM1084RL	10.14	8.26	4.13	5.21	8.25	6.25	8.75	6.88	PL108	7.01	11.19	8.29	10.16	11.73	9.90
	258mm	210mm	105mm	132mm	210mm	159mm	222mm	175mm	PLA108	178mm	284mm	211mm	258mm	299mm	251mm
AM1086RL	10.14	8.26	6.13	7.21	8.25	6.25	8.75	6.88	PL108	7.01	11.19	8.29	10.16	11.73	9.85
	258mm	210mm	156mm	183mm	210mm	159mm	222mm	175mm	PLA108	178mm	284mm	211mm	258mm	298mm	250mm
AM1206RL	12.14	10.26	6.13	7.21	10.25	8.25	10.75	8.88	PL120	9.01	13.19	10.29	12.16	13.73	11.85
	308mm	261mm	156mm	183mm	260mm	210mm	273mm	225mm	PLA120	229mm	335mm	261mm	309mm	349mm	301mm
AM1224RL	12.14	12.14	4.13	5.26	10.25	10.25	10.75	10.75	PL122	11.01	13.32	12.16	12.16	13.72	13.72
	308mm	308mm	105mm	134mm	260mm	260mm	273mm	273mm	PLA122	280mm	338mm	309mm	309mm	348mm	348mm
AM1226RL	12.14	12.14	6.13	7.26	10.25	10.25	10.75	10.75	PL122	11.01	13.32	12.16	12.16	13.72	13.72
	308mm	308mm	156mm	184mm	260mm	260mm	273mm	273mm	PLA122	280mm	338mm	309mm	309mm	348mm	348mm
AM1426RL	14.14	12.26	6.13	7.21	12.25	10.25	12.75	10.88	PL142	11.03	15.19	12.29	14.16	15.73	13.85
	359mm	312mm	156mm	183mm	311mm	260mm	324mm	276mm	PLA142	280mm	386mm	312mm	360mm	399mm	352mm
AM1648RL	16.27	14.40	8.13	9.21	14.25	12.25	14.75	12.88	P164	13.01	17.19	13.70	15.57	17.87	15.99
	413mm	366mm	207mm	234mm	362mm	311mm	375mm	327mm	PA164	330mm	437mm	348mm	395mm	454mm	406mm
AM1868RL	18.40	16.40	8.13	9.22	16.25	14.25	16.88	14.88	P186	14.97	19.28	15.70	17.70	20.00	18.00
	467mm	417mm	207mm	234mm	413mm	362mm	429mm	378mm	PA186	380mm	490mm	399mm	450mm	508mm	457mm
AM2068RL	20.00	16.00	8.13	9.21	17.81	13.81	18.44	14.44	P206	14.54	20.84	15.27	19.27	21.59	17.59
	508mm	406mm	207mm	234mm	452mm	351mm	468mm	367mm	PA206	369mm	529mm	388mm	489mm	548mm	447mm

All dimensions are in inches unless otherwise noted

Data subject to change without notice

Enclosure base part numbers come standard with 4 separately bagged feet (ex. AM664RL)

Additional back panels found on page 128

