

AMU Series

JIC SIZE JUNCTION BOXES

Cover Type

Viewing Window

Closure Type

Lift-Off Screw Cover



Application

Designed to insulate and protect controls and components in both indoor and outdoor applications often found in oil refineries, waste water treatment equipment, chemical plants, and many other applications

- Especially well suited for high temperature or corrosive environments
- Protects from dirt, dust, oil and water
- For use with industrial control equipment
- Clear polycarbonate viewing window, used in applications where critical electronic equipment must be visible and protected from the elements

Standards

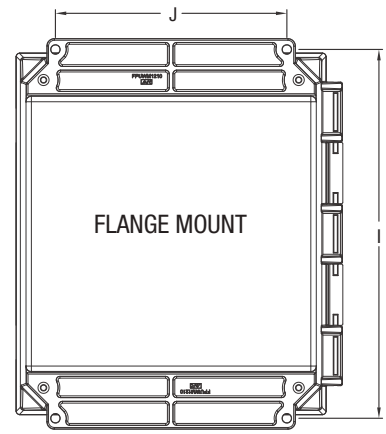
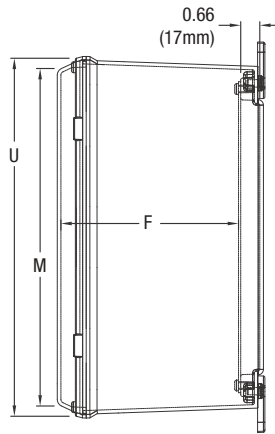
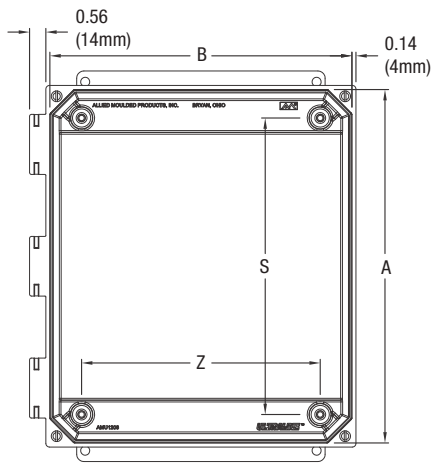
- UL 50 and UL 50E Types 1, 2, 3, 3R, 4, 4X, 12 and 13
- CSA C22.2 No. 94 Types 1, 2, 3, 3R, 4, 4X, 12 and 13
- Complies with:
 - NEMA Types 1, 2, 3, 3R, 4, 4X, 12 and 13
 - IEC 60529 Type IP66
 - RoHS directive

Construction

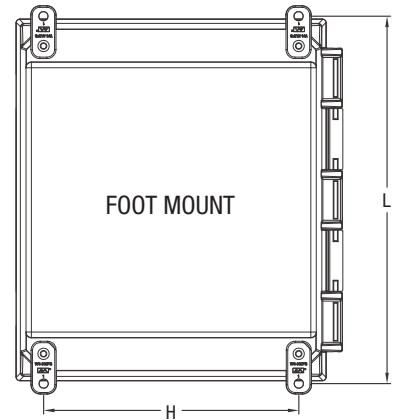
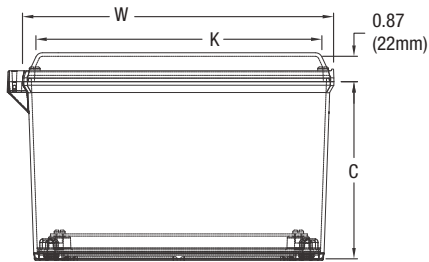
- Compression molded fiberglass reinforced polyester construction with flush, polycarbonate viewing window cover
- Allied Moulded ULTRAGUARD® fiberglass reinforced polyester material formulation - UV stabilized for outdoor use
- Opaque cover, base, feet, flanges — Light gray color (RAL 7035)
Note: foot models mounting hardware supplied in a bag. Flanged models are pre-assembled
- 316 stainless steel captive cover screws
- Formed-In-Place (FIP) polyurethane gasket system encased in continuous channel
- Polycarbonate foot/flange mounting brackets with 316 stainless steel fasteners
- #10-32 threaded brass inserts are installed for back panel mounting

Accessories & Modifications

- Optional back panels and hinged front panels
- Custom holes and cutouts
- Molded-in color matching
- EMI/RFI shielding
- Factory-supplied silk screening



Note: Cover Removed for Clarity



*Nom. Wall Thickness: .13 (3mm)
 16" size: .16 (4mm)
 18" & 20" sizes: .19 (5mm)

Part No.	Box Size			Usable Depth	Panel Boss Centers			Back Panel Size			Flange Mount Centers		Foot Mount Centers		Cover Size				Window Dim. (H x W)
	A	B	C		F	S	Z	Ht.	Wid.	P/N	J	I	H	L	K	M	W	U	
AMU664W	6.04	6.26	4.13	3.99	4.25	4.25	4.81	4.81	PL66	4.00	6.88, 6.75	4.91	6.75	5.70	5.53	6.72	6.50	3.50 x 3.50	
AMU664WF	153mm	159mm	105mm	101mm	108mm	108mm	122mm	122mm	PLA66	102mm	175, 171mm	125mm	171mm	145mm	140mm	171mm	165mm	89mm x 89mm	
AMU864W	8.06	6.28	4.13	4.00	6.25	4.25	6.75	4.88	PL86	4.00	8.88, 8.75	4.91	8.75	5.75	7.53	6.72	8.50	5.25 x 4.00	
AMU864WF	205mm	160mm	105mm	102mm	159mm	108mm	171mm	124mm	PLA86	102mm	222, 226mm	125mm	222mm	146mm	191mm	171mm	216mm	133mm x 102mm	
AMU1084W	10.05	8.27	4.13	4.00	8.25	6.25	8.75	6.88	PL108	6.00	10.75	6.91	10.75	7.75	9.53	8.72	10.50	6.25 x 4.25	
AMU1084WF	255mm	210mm	105mm	102mm	210mm	159mm	222mm	175mm	PLA108	152mm	273mm	176mm	273mm	197mm	242mm	221mm	267mm	159mm x 108mm	
★AMU1086W	10.04	8.26	6.13	6.10	8.25	6.25	8.75	6.88	PL108	6.00	10.75	6.91	10.75	7.75	9.53	8.72	10.50	6.25 x 4.25	
AMU1086WF	255mm	210mm	156mm	155mm	210mm	159mm	222mm	175mm	PLA108	152mm	273mm	175mm	273mm	197mm	242mm	221mm	267mm	159mm x 108mm	
AMU1206W	12.05	10.27	6.13	6.00	10.25	8.25	10.75	8.88	PL120	8.00	12.75	8.82	12.70	9.75	11.53	10.72	12.50	8.38 x 6.50	
AMU1206WF	306mm	261mm	156mm	153mm	260mm	210mm	273mm	226mm	PLA120	203mm	324mm	224mm	323mm	248mm	293mm	272mm	318mm	213mm x 165mm	
AMU1426W	14.05	12.27	6.13	6.00	12.25	10.25	12.75	10.88	PL142	10.01	14.75, 14.62	10.82	14.70	11.75	13.53	12.72	14.50	10.38 x 8.51	
AMU1426WF	357mm	312mm	156mm	152mm	311mm	260mm	324mm	276mm	PLA142	254mm	375, 371mm	275mm	373mm	298mm	344mm	323mm	368mm	264mm x 216mm	
AMU1648W	16.05	14.27	8.14	7.99	14.25	12.25	14.75	12.88	P164	12.00	16.75	11.47	16.91	13.75	15.53	14.72	16.50	12.38 x 10.50	
AMU1648WF	408mm	362mm	207mm	203mm	362mm	311mm	375mm	327mm	PA164	305mm	425mm	291mm	430mm	349mm	394mm	374mm	419mm	314mm x 267mm	
AMU1860W	18.12	16.34	10.13	10.00	16.26	14.26	16.88	14.88	P186	12.00	18.88, 18.76	13.72	19.16	15.75	17.78	16.97	18.75	13.00 x 11.00	
AMU1860WF	460mm	415mm	257mm	254mm	413mm	362mm	429mm	378mm	PA186	305mm	480, 477mm	348mm	487mm	400mm	452mm	431mm	476mm	330mm x 267mm	
AMU2060W	19.87	16.09	10.14	9.99	17.81	13.81	18.44	14.44	P206	10.00	21.28	13.16	20.53	15.75	19.53	16.72	20.50	14.00 x 12.00	
AMU2060WF	505mm	409mm	257mm	254mm	452mm	351mm	468mm	367mm	PA206	254mm	540mm	334mm	521mm	400mm	496mm	425mm	521mm	356mm x 305mm	

All dimensions are in inches unless otherwise noted

"I" dimensions with multiple numbers indicate slotted holes

Enclosure base part numbers come standard with 4 separately bagged feet (ex. AMU664W)

Part numbers with "F" signify factory installed flanges (ex. AMU664WF)

Additional back panels found on page 128

★Coming soon!

Data subject to change without notice

