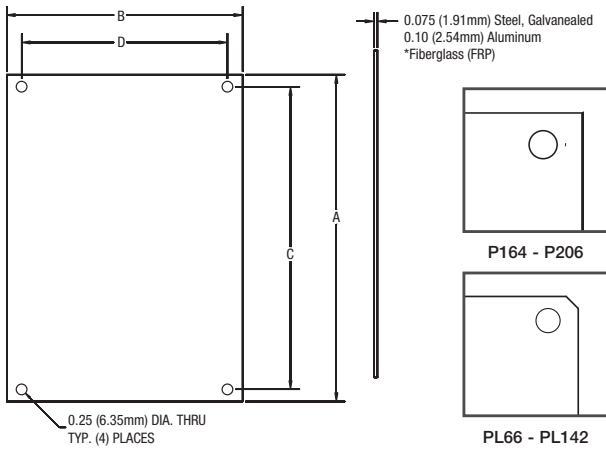


Back Panels

Small Junction Boxes		
Optional Aluminum / Fiberglass Back Panel		
Part No.	Height	Width
PA74, PF74	4.00	3.13
	102mm	80mm
PA94, PF94	6.25	3.13
	159mm	80mm

All dimensions are in inches unless otherwise noted. "PA" denotes aluminum, "PF" denotes fiberglass Thickness; "PA" (.100) "PF" (.125)



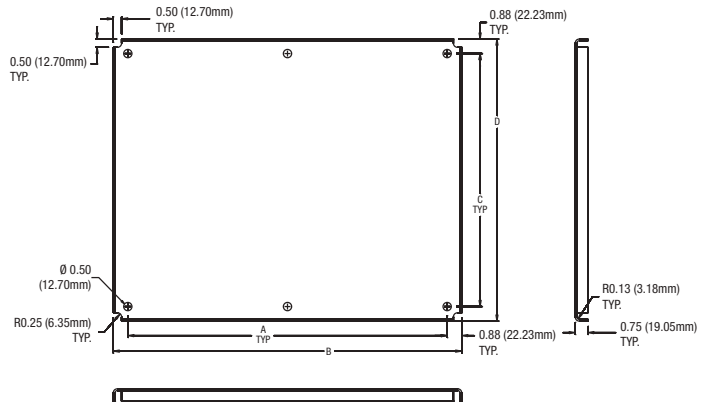
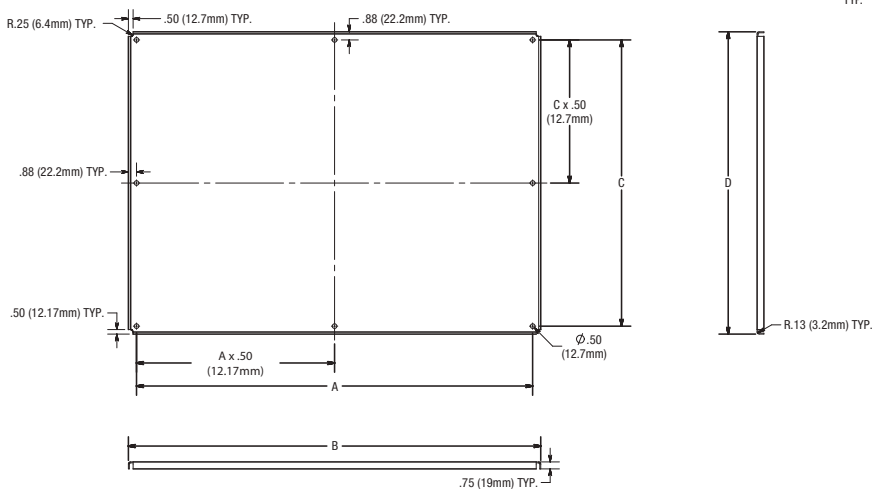
Optional Back Panel Base Part #'s	
Prefix	Material Description
P, PL	White Painted Carbon Steel
PA, PLA	Aluminum
PF	Fiberglass
PG	Galvannealed

AM, AMHD, AMU, AM-R Series (JIC Sizes)							
Steel	Alum	FRP	Galv	A	B	C	D
PL66 (Replaces P66)	PLA66 (Replaces PA66)	PF66	PG66	4.81	4.81	4.25	4.25
				122mm	122mm	108mm	108mm
PL86 (Replaces P86)	PLA86 (Replaces PA86)	PF86	PG86	6.75	4.88	6.25	4.25
				171mm	124mm	159mm	108mm
PL108 (Replaces P108)	PLA108 (Replaces PA108)	PF108	PG108	8.75	6.88	8.25	6.25
				222mm	175mm	210mm	159mm
PL120 (Replaces P120)	PLA120 (Replaces PA120)	PF120	PG120	10.75	8.88	10.25	8.25
				273mm	226mm	260mm	210mm
PL122	PLA122	PF122	PG122	10.75	10.75	10.25	10.25
				273mm	273mm	260mm	260mm
PL142 (Replaces P142)	PLA142 (Replaces PA142)	PF142	PG142	12.75	10.88	12.25	10.25
				324mm	276mm	311mm	260mm
P164	PA164	PF164	PG164	14.75	12.88	14.25	12.25
				375mm	327mm	362mm	311mm
P186	PA186	PF186	PG186	16.88	14.88	16.25	14.25
				429mm	378mm	413mm	362mm
P206	PA206	PF206	PG206	18.44	14.44	17.81	13.81
				468mm	367mm	452mm	351mm

Fiberglass panel thickness: (0.125") PF66, PF86, PF108; (0.187") PF120, PF142, PF164; (0.250") PF186, PF206

Control Series							
Steel	Alum	FRP	Galv	A	B	C	D
P2420	PA2420	PF2420	PG2420	19.25	21.00	15.25	17.00
				489mm	533mm	387mm	432mm
P2424	PA2424	PF2424	PG2424	19.25	21.00	19.25	21.00
				489mm	533mm	489mm	533mm
P3024	PA3024	PF3024	PG3024	25.25	27.00	19.25	21.00
				641mm	686mm	489mm	533mm

Back panels have changed from 4 holes to 6 holes



Empire Series				
Steel	A	B	C	D
P3630CS	31.24	33.00	25.24	27.00
	793mm	838mm	641mm	686mm
P3636CS	31.24	33.00	31.24	33.00
	793mm	838mm	793mm	838mm
P4836CS	43.24	45.00	31.24	33.00
	1,098mm	1,143mm	793mm	838mm
P6036CS	55.24	57.00	31.24	33.00
	1,403mm	1,448mm	793mm	838mm

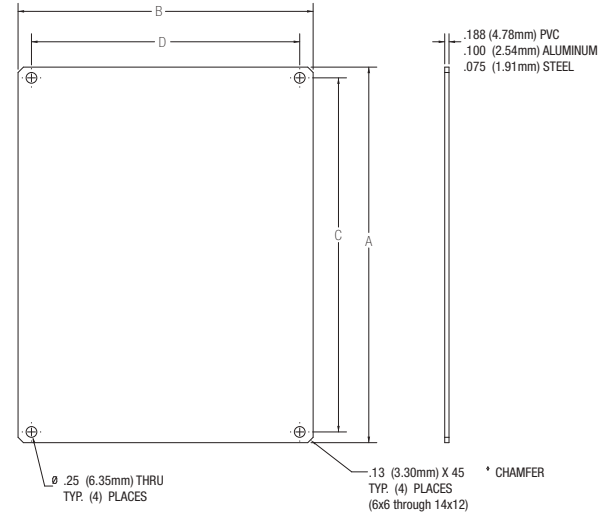
Refer to key above for back panel material type

POLYLINE® Series Optional Back Panels:

“PL” Painted White Carbon Steel

or “PLA” Aluminum

POLYLINE® Series						
STEEL (P/N)	ALUM (P/N)	PVC (P/N)	A	B	C	D
PL66	PLA66	PLPVC66	4.81	4.81	4.25	4.25
			122mm	122mm	108mm	108mm
PL86	PLA86	PLPVC86	6.75	4.88	6.25	4.25
			171mm	124mm	159mm	108mm
PL88	PLA88	PLPVC88	6.75	6.88	6.25	6.25
			171mm	175mm	159mm	159mm
PL108	PLA108	PLPVC108	8.75	6.88	8.25	6.25
			222mm	175mm	210mm	159mm
PL120	PLA120	PLPVC120	10.75	8.88	10.25	8.25
			273mm	226mm	260mm	210mm
PL142	PLA142	PLPVC142	12.75	10.88	12.25	10.25
			324mm	276mm	311mm	260mm
P164	PA164	PLPVC164	14.75	12.88	14.25	12.25
			375mm	327mm	362mm	311mm
P186	PA186	PLPVC186	16.88	14.88	16.25	14.25
			429mm	378mm	413mm	362mm

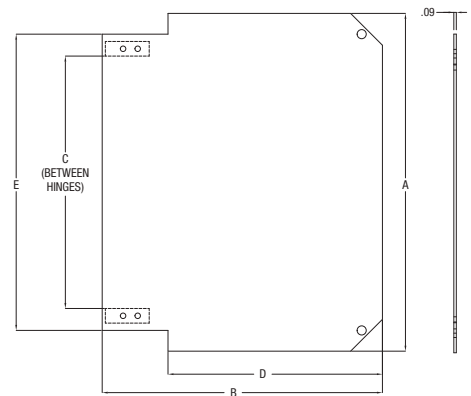


All dimensions are in inches unless otherwise noted.

POLYLINE® Series Optional Adjustable Hinged Front Panels:

“HFPP” Aluminum Panel Systems

HFPP Kit (P/N)	Enc. Base (P/N)	A	B	C	D	E
HFPP66	AMP664	5.44	5.61	2.64	3.36	4.19
		138mm	142mm	67mm	85mm	106mm
HFPP86	AMP864	7.44	5.61	4.67	3.36	6.19
		189mm	142mm	119mm	85mm	157mm
HFPP88	AMP884	7.44	7.63	4.64	5.38	6.19
		189mm	194mm	118mm	137mm	157mm
HFPP108	AMP1084 AMP1086	9.43	7.63	6.63	5.38	8.18
		239mm	194mm	168mm	137mm	208mm
HFPP120	AMP1204 AMP1206	11.55	9.58	8.63	7.33	10.13
		293mm	243mm	219mm	186mm	257mm
HFPP142	AMP1426	13.10	11.25	10.61	9.00	11.75
		333mm	286mm	269mm	229mm	298mm
HFPP164	AMP1648	14.75	12.88	12.23	12.13	13.44
		375mm	327mm	245mm	289mm	339mm
HFPP186	AMP1860	16.88	14.88	14.19	14.13	15.44
		429mm	378mm	295mm	340mm	393mm



All dimensions are in inches unless otherwise noted.