



*Quality Products. Service Excellence.*

## Type 3R Aluminum Junction Box C3RESCNKAL Series

Screw Cover and without Knockouts



### Application

- Designed for use as a wiring/junction box.
- Provides protection against rain, sleet, snow and dripping water.

### Standards

- UL-50 Type 3R
- CSA Type 3R
- Complies with:
  - NEMA Type 3R
  - IEC 60529, IP24

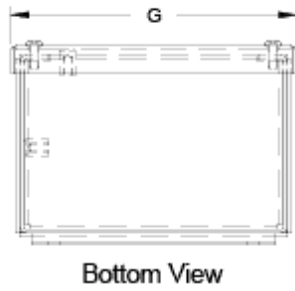
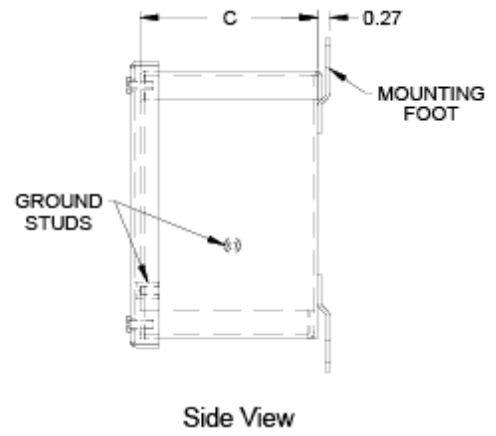
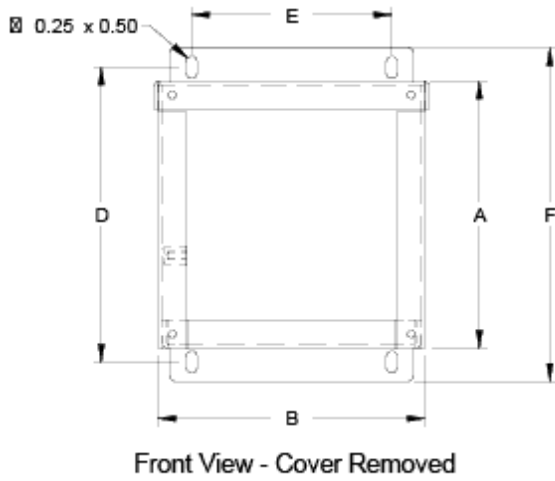
### Construction

- Formed from 0.08" Type 5052 H-32 aluminum
- Drip-shield top and seam-free sides, front and back.
- Slip-on removable cover fastened with plated steel screws.
- External mounting feet.
- Oil resistant gaskets are permanently secured.
- A bonding stud is provided on the door and a grounding stud is provided in the box..

### Finish

- Enclosure and cover are finished in natural unfinished aluminum.





Part No.	Overall Dimensions			Mounting		Overall Dim.	
	A	B	C	D	E	F	G
C3R664ESCNKAL	6.00	6.00	4.00	6.63	4.50	7.50	6.42
C3R884ESCNKAL	8.00	8.00	4.00	8.63	6.50	9.50	8.42
C3R886ESCNKAL	8.00	8.00	6.00	8.63	6.50	9.50	8.42
C3R10104ESCNKAL	10.00	10.00	4.00	10.63	8.50	11.50	10.42
C3R10106ESCNKAL	10.00	10.00	6.00	10.63	8.50	11.50	10.42
C3R12124ESCNKAL	12.00	12.00	4.00	12.63	10.50	13.50	12.42
C3R12126ESCNKAL	12.00	12.00	6.00	12.63	10.50	13.50	12.42

Data subject to change without notice

© 2018. Hammond Manufacturing Ltd. All rights reserved.