



MB120

Moisture Analyzer



Moisture Analysis Made Simple—and Powerful.

The MB120 delivers functionality and precision that you can rely on, and is easy to operate and clean—you can test more samples in less time! Advanced features such as a temperature guide help to analyze optimum drying temperature, and methods and results storage allows statistical analysis of measurements. Three levels of user management ensure data safety—set up and lock temperature settings and method parameters with administrator access.

Standard Features Include:

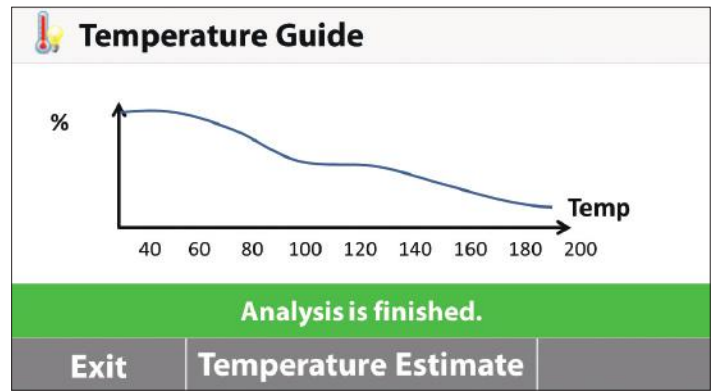
- **Advanced Functionality for Professional Moisture Analysis**
MB120's Temperature Guide analyzes a sample and determines the optimal drying temperature. Store up to 100 drying methods for easy recall and up to 1000 total results for statistical analysis.
- **Precise and Fast Results with Halogen Heating Increases Efficiency in the Lab**
Precisely controlled halogen heating dries samples uniformly, producing repeatable results of 0.01% readability. Four drying profiles and seven shut-off criteria help to perform customized sample tests.
- **Easy Tool-Free Cleaning and Intuitive Operation with the Icon-Driven Menu Navigation**
The MB120 features a removable pan handler and sample chamber for easy cleaning. Operating the MB120 is intuitive—simply follow the guided instructions on the touchscreen display. The robust housing and die-cast base guarantee durability.

MB120 Moisture Analyzer

Advanced Functionality

Test a wide variety of materials for a range of applications with MB120.

- **Temperature Guide**
Easily analyze a sample of a specific material and determine the optimum drying temperature.
- **100 Methods Library Makes Testing Faster**
Program the parameters for up to 100 different types of samples, then select and run your test with the push of a button.
- **Store Up to 1000 Results for All Methods for Statistical Analysis**
Quickly retrieve data and save to flash drive.
- **Three-Level User Management**
Set up and lock temperature settings and method parameters with admin access, so users can't modify settings.



Temperature Guide

The screenshot shows a "Test Library" menu with a list of test names: "Cake Mix", "Corn Powder", "Ground Coffee", and "Milk Powder". There are "Back", "New", "Export", and "Import" buttons at the bottom.

Method Library

Test Name	Moisture Content (%MC)
02/16/2016 - 12:11 PM	2.95 %MC
02/16/2016 - 12:00 PM	3.21 %MC
02/16/2016 - 11:49 AM	3.04 %MC

The screenshot shows a "Results Storage" menu with a table of test results for "Ground Coffee". The table has two columns: "Test Name" and "Moisture Content (%MC)". There are "Back", "Export", "Statistics", and "Delete" buttons at the bottom.

Results Storage



Testing Made Simple

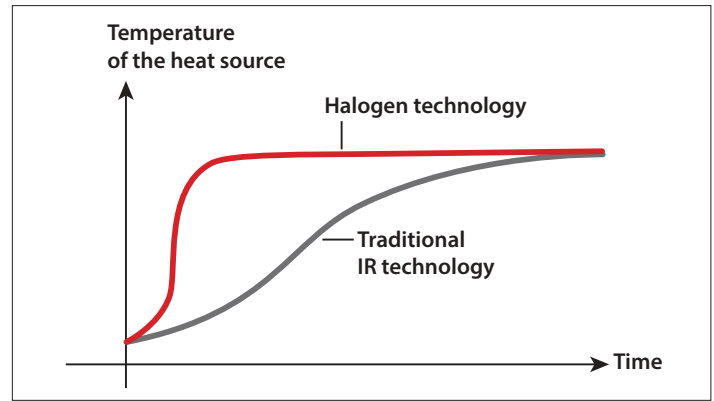
The MB Series features a wide, bright touchscreen display and intuitive menu navigation for fast, accurate moisture analysis.

- **Touchscreen Display**
Easy to read and understand
- **Icon-Driven Menu Navigation**
Easy to follow — no training required
- **4 Mechanical Keys for Fast One-Step Operation**
Tare, Start/Stop, Print, On/Off
- **USB and RS232 Ports**
Quick connections to a PC or flash drive
- **Moisture Analysis Made Simple**
Just 3 easy steps for routine sample testing!
 1. Tare empty sample pan
 2. Add sample according to best practices
 3. Press start and see your results!

Exceptional Precision

The MB120 provides precise results for more confident testing.

- **Fast Halogen Heating Technology**
Halogen heating dries samples in seconds and performs up to 40% faster than traditional infrared methods.
- **Uniform Drying for Precise, Repeatable Results**
The reflective sample chamber ensures uniform heating of each sample to yield reliable results of 0.01% readability.
- **Flexible and Powerful**
Features a full operating temperature range of 40–230 °C in 1 degree increments.
- **Four Drying Profiles to Ensure Accuracy**
Customize heating of specific samples with temperature control for one-step drying—set temperature and time and begin!
 - Fast:** Quickest possible time to temperature
 - Standard:** Minimal overshoot while achieving temperatures quickly
 - Ramp:** Controlled ramping to temperatures
 - Step:** Set three temperatures at three time intervals
- **Shut-Off Criteria for Automatic Test Completion**
Customize your own test endpoint criteria to automatically end the test once moisture loss is no longer detected. Choose from 7 criteria—Manual, Timed, AutoFree percent weight loss per second, AutoFree mg loss per second, A30, A60 and A90.



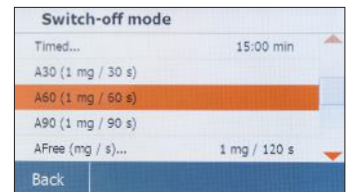
Fast Heating Time



Uniform Drying



Four Drying Profiles



Customized Endpoints



Easy Tool-Free Cleaning

The MB120 features a patented pan handler and removable parts for convenient maintenance.

- **Stainless Steel Drying Pan**
Wipe down quickly
- **Removable Heating Chamber Components**
No tools required—simply remove glass and tray to clean

MB120 Moisture Analyzer

Model	MB120
Capacity	120 g
Readability	0.01%/0.001 g
Repeatability (Std Dev) (g)	0.05% (3 g sample) 0.015% (10 g sample)
Moisture Range	0.01% to 100% (0.01% to 1000% for regain mode)
Output	RS232, USB Host, USB Device
Heating Element	Halogen
Temperature Range	40–230 °C
Power	120 or 240 VAC 50/60 Hz
Operating Temperature Range	50–104 °F/10–40 °C
Display Type	4.3 in/109 mm, QVGA, TFT touch screen
Display Results	%moisture, %solids, %regain, time, temperature, weight, method name, drying curve and statistics
Pan Size	3.5 in/90 mm
Dimensions (W × H × D)	8.3 × 7.7 × 14.0 in/211 × 180 × 355 mm
Net Weight	11.5 lb/5.23 kg
Shipping Weight	18.4 lb/8.35 kg

Compliance

- **Product Safety:** IEC/EN 61010-1; IEC/EN 61010-2-010; CAN/CSA C22.2 61010-1; CAN/CSA C22.2 61010-2-010; UL 61010-1
- **Electromagnetic Compatibility:** IEC/EN 61326-1 Class B, Basic environments; FCC Part 15 Class A; ICES-003 Class A

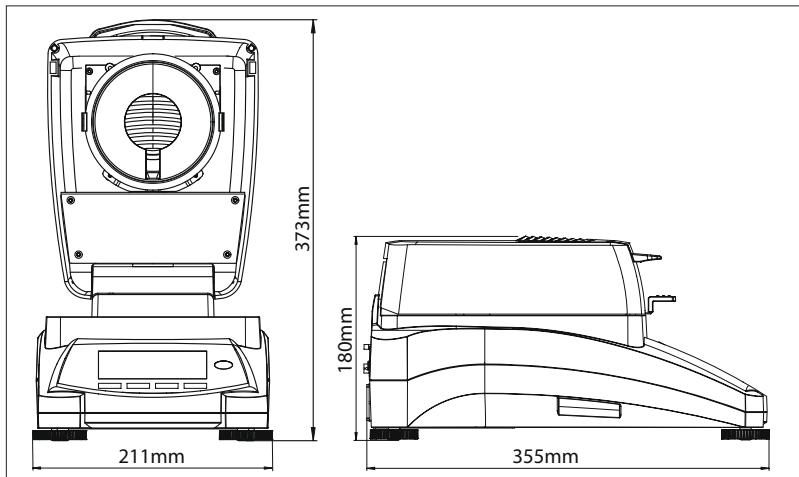
Additional Features—MB120

ABS top housing, stainless steel pan support, in-use cover, user-guide, 13 operational languages

Accessories

Pan Handler	30246947
In-Use-Cover	30284478
Scoop	30284477
Temperature Calibration Kit	11113857
Anti-Theft Device	80850043
Aluminum Pan (set of 80)	80850086
Glass Fiber Pads (set of 200)	80850087
Cage, Sample	80252477
Reusable Pan Set of 3, 7mm High	80252478
Reusable Pan Set of 3, 14mm High	80252479
SF40A Impact Printer	30064203

Outline Dimensions



OHAUS CORPORATION

* 7 Campus Drive
Suite 310
Parsippany, NJ 07054 USA

Tel: 800.672.7722
973.377.9000
Fax: 973.944.7177

www.ohaus.com

With offices throughout
Europe, Asia and
Latin America

*ISO 9001:2008
Registered Quality
Management System

