

Enviroline® Series Single-Door Enclosures (RAL 7035)

Application -

Designed to house electrical and electronic controls, instruments and components. Provides protection from dust, oil and water. For outdoor application a drip shield is recommended. For installation information, consult our Installation Manual at www.saginawcontrol.com.

Construction -

- 0.075" carbon steel.
- Seams continuously welded and ground smooth.
- Flange trough collar around all sides of door opening.
- Oil-resistant gasket.
- Collar studs provided for mounting optional sub-panels.
- Concealed hinges.
- Removable and interchangeable doors.
- Black quarter turn latches.
- Latches are opened or closed with a screwdriver.
- Mounting holes in back of enclosure.
- Mounting hardware, sealing washers and hole plugs included.
- Removable print pocket furnished if height and width of enclosure is greater than 12".
- Ground studs on door and body.
- Provision for Lifting Lugs included on enclosures with Height >48" and with Depth >16". Lifting Lug assembly included with the enclosure bolt pack.

Options -

- Optional tamper-resistant inserts available.
- Optional mounting feet available.
- Door hardware available.

Finish -

RAL 7035 gray powder coated inside and out. Optional sub-panels powder coated white.

Notes -

Interchangeable latches and handles available in the accessory section.

IS4 - Industry Standards -

NEMA Type 3R, 4, 12 & Type 13
UL Listed Type 3R, 4 & 12
CSA Type 3R, 4 & 12
IEC 60529 IP66

***Special Instructions apply for IS3, IS4 and IS6 to maintain the environmental rating of Type 3R for these parts. See the Special Instructions on the Industry Standards page in the Technical Information Section.

ENVIROLINE® SERIES SINGLE-DOOR ENCLOSURES - RAL 7035

ENCLOSURE PRODUCT CODE E3						SUB-PANEL (P3)			
Catalog No.	Height (A)	Width (B)	Depth (C)	Industry Standard	List Price	Catalog No.	Panel Height (D)	Panel Width (E)	List Price
SCE-12EL1206LPLG	12.00	12.00	6.00	IS4	183.29	SCE-12DLP12	9.00	9.00	13.67
SCE-12EL2406LPLG	12.00	24.00	6.00	IS4	218.97	SCE-12P24	9.00	21.00	27.86
SCE-12EL2408LPLG	12.00	24.00	8.00	IS4	239.11	SCE-12P24	9.00	21.00	27.86
SCE-16EL1206LPLG	16.00	12.00	6.00	IS4	194.36	SCE-16P12	13.00	9.00	14.81
SCE-16EL1208LPLG	16.00	12.00	8.00	IS4	205.44	SCE-16P12	13.00	9.00	14.81
SCE-16EL1408LPLG	16.00	14.00	8.00	IS4	211.59	SCE-16DLP14	13.00	11.00	17.72
SCE-16EL1606LPLG	16.00	16.00	6.00	IS4	210.37	SCE-16P16	13.00	13.00	24.57
SCE-16EL1608LPLG	16.00	16.00	8.00	IS4	234.97	SCE-16P16	13.00	13.00	24.57
SCE-16EL2006LPLG	16.00	20.00	6.00	IS4	236.19	SCE-20P16	17.00	13.00	30.37
SCE-16EL2008LPLG	16.00	20.00	8.00	IS4	237.42	SCE-20P16	17.00	13.00	30.37
SCE-20EL1206LPLG	20.00	12.00	6.00	IS4	209.13	SCE-20P12	17.00	9.00	23.14
SCE-20EL1606LPLG	20.00	16.00	6.00	IS4	225.12	SCE-20P16	17.00	13.00	30.37
SCE-20EL1608LPLG	20.00	16.00	8.00	IS4	237.42	SCE-20P16	17.00	13.00	30.37
SCE-20EL1610LPLG	20.00	16.00	10.00	IS4	252.38	SCE-20P16	17.00	13.00	30.37
SCE-20EL1612LPLG	20.00	16.00	12.00	IS4	263.25	SCE-20P16	17.00	13.00	30.37
SCE-20EL2006LPLG	20.00	20.00	6.00	IS4	242.34	SCE-20P20	17.00	17.00	35.44
SCE-20EL2008LPLG	20.00	20.00	8.00	IS4	255.87	SCE-20P20	17.00	17.00	35.44
SCE-20EL2010LPLG	20.00	20.00	10.00	IS4	270.07	SCE-20P20	17.00	17.00	35.44
SCE-20EL2012LPLG	20.00	20.00	12.00	IS4	284.17	SCE-20P20	17.00	17.00	35.44
SCE-20EL2408LPLG	20.00	24.00	8.00	IS4	275.56	SCE-24P20	21.00	17.00	45.57
SCE-24EL1206LPLG	24.00	12.00	6.00	IS4	218.97	SCE-12P24	9.00	21.00	27.86
SCE-24EL1606LPLG	24.00	16.00	6.00	IS4	239.89	SCE-24P16	21.00	13.00	32.92
SCE-24EL1608LPLG	24.00	16.00	8.00	IS4	253.42	SCE-24P16	21.00	13.00	32.92
SCE-24EL2006LPLG	24.00	20.00	6.00	IS4	260.80	SCE-24P20	21.00	17.00	45.57
SCE-24EL2008LPLG	24.00	20.00	8.00	IS4	275.56	SCE-24P20	21.00	17.00	45.57
SCE-24EL2010LPLG	24.00	20.00	10.00	IS4	292.78	SCE-24P20	21.00	17.00	45.57
SCE-24EL2012LPLG	24.00	20.00	12.00	IS4	307.54	SCE-24P20	21.00	17.00	45.57
SCE-24EL2016LPLG	24.00	20.00	16.00	IS4	337.06	SCE-24P20	21.00	17.00	45.57
SCE-24EL2406LPLG	24.00	24.00	6.00	IS4	281.71	SCE-24P24	21.00	21.00	53.18
SCE-24EL2408LPLG	24.00	24.00	8.00	IS4	297.70	SCE-24P24	21.00	21.00	53.18
SCE-24EL2410LPLG	24.00	24.00	10.00	IS4	314.93	SCE-24P24	21.00	21.00	53.18
SCE-24EL2412LPLG	24.00	24.00	12.00	IS4	329.69	SCE-24P24	21.00	21.00	53.18
SCE-24EL2416LPLG	24.00	24.00	16.00	IS4	362.90	SCE-24P24	21.00	21.00	53.18
SCE-24EL3008LPLG	24.00	30.00	8.00	IS4	329.69	SCE-30P24	27.00	21.00	63.29
SCE-24EL3010LPLG	24.00	30.00	10.00	IS4	355.51	SCE-30P24	27.00	21.00	63.29
SCE-24EL3012LPLG	24.00	30.00	12.00	IS4	380.54	SCE-30P24	27.00	21.00	63.29
SCE-30EL1606LPLG	30.00	16.00	6.00	IS4	263.25	SCE-30P16	27.00	13.00	45.57
SCE-30EL2008LPLG	30.00	20.00	8.00	IS4	303.85	SCE-30P20	27.00	17.00	55.70
SCE-30EL2010LPLG	30.00	20.00	10.00	IS4	319.84	SCE-30P20	27.00	17.00	55.70
SCE-30EL2406LPLG	30.00	24.00	6.00	IS4	309.63	SCE-30P24	27.00	21.00	63.29
SCE-30EL2408LPLG	30.00	24.00	8.00	IS4	329.69	SCE-30P24	27.00	21.00	63.29
SCE-30EL2410LPLG	30.00	24.00	10.00	IS4	355.51	SCE-30P24	27.00	21.00	63.29
SCE-30EL2412LPLG	30.00	24.00	12.00	IS4	366.59	SCE-30P24	27.00	21.00	63.29
SCE-30EL2416LPLG	30.00	24.00	16.00	IS4	404.72	SCE-30P24	27.00	21.00	63.29
SCE-30EL2420LPLG	30.00	24.00	20.00	IS4	441.62	SCE-30P24	27.00	21.00	63.29
SCE-30EL2424LPLG	30.00	24.00	24.00	IS4	478.53	SCE-30P24	27.00	21.00	63.29
SCE-30EL3008LPLG	30.00	30.00	8.00	IS4	369.05	SCE-30P30	27.00	27.00	83.55
SCE-30EL3010LPLG	30.00	30.00	10.00	IS4	410.87	SCE-30P30	27.00	27.00	83.55
SCE-30EL3012LPLG	30.00	30.00	12.00	IS4	423.17	SCE-30P30	27.00	27.00	83.55
SCE-30EL3608LPLG	30.00	36.00	8.00	IS4	408.42	SCE-36P30	33.00	27.00	101.27
SCE-36EL2408LPLG	36.00	24.00	8.00	IS4	362.90	SCE-36P24	33.00	21.00	75.96
SCE-36EL2410LPLG	36.00	24.00	10.00	IS4	394.42	SCE-36P24	33.00	21.00	75.96
SCE-36EL2412LPLG	36.00	24.00	12.00	IS4	404.72	SCE-36P24	33.00	21.00	75.96

ENVIROLINE® SERIES SINGLE-DOOR ENCLOSURES - RAL 7035

ENCLOSURE PRODUCT CODE E3						SUB-PANEL (P3)			
Catalog No.	Height (A)	Width (B)	Depth (C)	Industry Standard	List Price	Catalog No.	Panel Height (D)	Panel Width (E)	List Price
SCE-36EL2416LPLG	36.00	24.00	16.00	IS4	418.25	SCE-36P24	33.00	21.00	75.96
SCE-36EL3008LPLG	36.00	30.00	8.00	IS4	408.42	SCE-36P30	33.00	27.00	101.27
SCE-36EL3010LPLG	36.00	30.00	10.00	IS4	435.47	SCE-36P30	33.00	27.00	101.27
SCE-36EL3012LPLG	36.00	30.00	12.00	IS4	452.70	SCE-36P30	33.00	27.00	101.27
SCE-36EL3016LPLG	36.00	30.00	16.00	IS4	498.22	SCE-36P30	33.00	27.00	101.27
SCE-36EL3020LPLG	36.00	30.00	20.00	IS4	542.51	SCE-36P30	33.00	27.00	101.27
SCE-36EL3608LPLG	36.00	36.00	8.00	IS4	452.70	SCE-36P36	33.00	33.00	118.99
SCE-36EL3610LPLG	36.00	36.00	10.00	IS4	488.77	SCE-36P36	33.00	33.00	118.99
SCE-36EL3612LPLG	36.00	36.00	12.00	IS4	501.91	SCE-36P36	33.00	33.00	118.99
SCE-36EL3616LPLG	36.00	36.00	16.00	IS4	551.11	SCE-36P36	33.00	33.00	118.99
SCE-40EL2412LPLG	40.00	24.00	12.00	IS4	428.10	SCE-40P24	37.00	21.00	86.08
SCE-42EL2410LPLG	42.00	24.00	10.00	IS4	457.63	SCE-42P24	39.00	21.00	91.14
SCE-42EL3008LPLG	42.00	30.00	8.00	IS4	449.01	SCE-42P30	39.00	27.00	116.47
SCE-42EL3010LPLG	42.00	30.00	10.00	IS4	471.15	SCE-42P30	39.00	27.00	116.47
SCE-42EL3012LPLG	42.00	30.00	12.00	IS4	496.98	SCE-42P30	39.00	27.00	116.47
SCE-42EL3016LPLG	42.00	30.00	16.00	IS4	528.98	SCE-42P30	39.00	27.00	116.47
SCE-42EL3608LPLG	42.00	36.00	8.00	IS4	499.46	SCE-42P36	39.00	33.00	136.72
SCE-42EL3610LPLG	42.00	36.00	10.00	IS4	524.06	SCE-42P36	39.00	33.00	136.72
SCE-42EL3612LPLG	42.00	36.00	12.00	IS4	551.11	SCE-42P36	39.00	33.00	136.72
SCE-42EL3616LPLG	42.00	36.00	16.00	IS4	605.24	SCE-42P36	39.00	33.00	136.72
SCE-48EL2408LPLG	48.00	24.00	8.00	IS4	429.32	SCE-48P24	45.00	21.00	98.74
SCE-48EL2412LPLG	48.00	24.00	12.00	IS4	477.30	SCE-48P24	45.00	21.00	98.74
SCE-48EL3008LPLG	48.00	30.00	8.00	IS4	498.72	SCE-48P30	45.00	27.00	129.13
SCE-48EL3010LPLG	48.00	30.00	10.00	IS4	512.98	SCE-48P30	45.00	27.00	129.13
SCE-48EL3016LPLG	48.00	30.00	16.00	IS4	574.49	SCE-48P30	45.00	27.00	129.13
SCE-48EL3608LPLG	48.00	36.00	8.00	IS4	542.51	SCE-48P36	45.00	33.00	154.46
SCE-48EL3610LPLG	48.00	36.00	10.00	IS4	573.27	SCE-48P36	45.00	33.00	154.46
SCE-48EL3612LPLG	48.00	36.00	12.00	IS4	600.33	SCE-48P36	45.00	33.00	154.46
SCE-48EL3616LPLG	48.00	36.00	16.00	IS4	658.14	SCE-48P36	45.00	33.00	154.46
SCE-48EL3620LPLG	48.00	36.00	20.00	IS4	715.97	SCE-48P36	45.00	33.00	154.46
SCE-60EL2412LPLG	60.00	24.00	12.00	IS4	551.11	SCE-60P24	57.00	21.00	129.13
SCE-60EL3608LPLG	60.00	36.00	8.00	IS4	649.48	SCE-60P36	57.00	33.00	189.89
SCE-60EL3610LPLG	60.00	36.00	10.00	IS4	667.98	SCE-60P36	57.00	33.00	189.89
SCE-60EL3612LPLG	60.00	36.00	12.00	IS4	698.74	SCE-60P36	57.00	33.00	189.89
SCE-60EL3616LPLG	60.00	36.00	16.00	IS4	765.17	SCE-60P36	57.00	33.00	189.89
SCE-60EL3620LPLG	60.00	36.00	20.00	IS4	832.83	SCE-60P36	57.00	33.00	189.89
SCE-60EL3624LPLG	60.00	36.00	24.00	IS4	1,127.62	SCE-60P36	57.00	33.00	189.89
SCE-72EL3012LPLG	72.00	30.00	12.00	IS4	749.18	SCE-72P30	69.00	27.00	210.15
SCE-72EL3016LPLG	72.00	30.00	16.00	IS4	856.21	SCE-72P30	69.00	27.00	210.15
SCE-72EL3024LPLG	72.00	30.00	24.00	IS4	941.08	SCE-72P30	69.00	27.00	210.15
SCE-72EL3612LPLG	72.00	36.00	12.00	IS4	799.62	SCE-72P36	69.00	33.00	225.33
SCE-72EL3616LPLG	72.00	36.00	16.00	IS4	910.33	SCE-72P36	69.00	33.00	225.33
SCE-72EL3624LPLG	72.00	36.00	24.00	IS4	1,239.50	SCE-72P36	69.00	33.00	225.33



Phone (989) 799-6871
Fax (989) 799-4524

Enviroline® Series Single-Door Enclosures (RAL 7035)

Application -

Designed to house electrical and electronic controls, instruments and components. Provides protection from dust, oil and water. For outdoor application a drip shield is recommended. For installation information, consult our Installation Manual at www.saginawcontrol.com.

Construction -

- 0.075" carbon steel.
- Seams continuously welded and ground smooth.
- Flange trough collar around all sides of door opening.
- Oil-resistant gasket.
- Collar studs provided for mounting optional sub-panels.
- Concealed hinges.
- Removable and interchangeable doors.
- Black quarter turn latches.
- Latches are opened or closed with a screwdriver.
- Mounting holes in back of enclosure.
- Mounting hardware, sealing washers and hole plugs included.
- Removable print pocket furnished if height and width of enclosure is greater than 12".
- Ground studs on door and body.
- Provision for Lifting Lugs included on enclosures with Height >48" and with Depth >16". Lifting Lug assembly included with the enclosure bolt pack.

Options -

- Optional tamper-resistant inserts available.
- Optional mounting feet available.
- Door hardware available.

Finish -

RAL 7035 gray powder coated inside and out. Optional sub-panels powder coated white.

Notes -

Interchangeable latches and handles available in the accessory section.

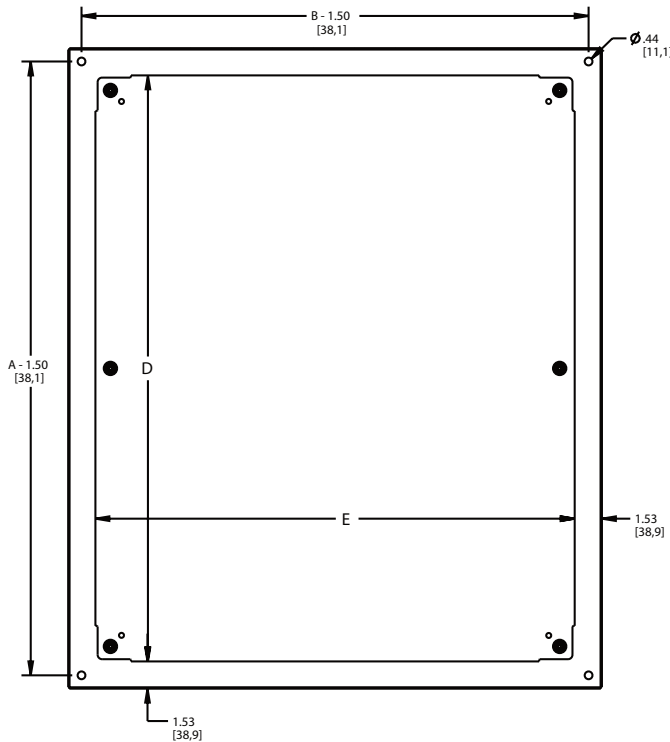
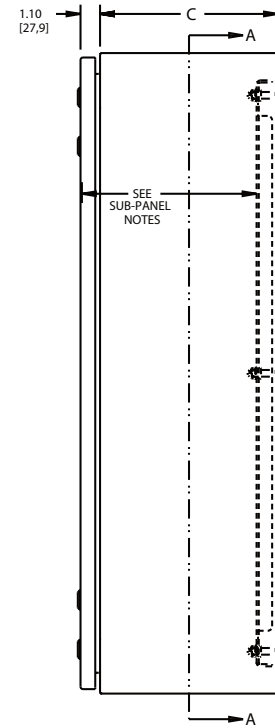
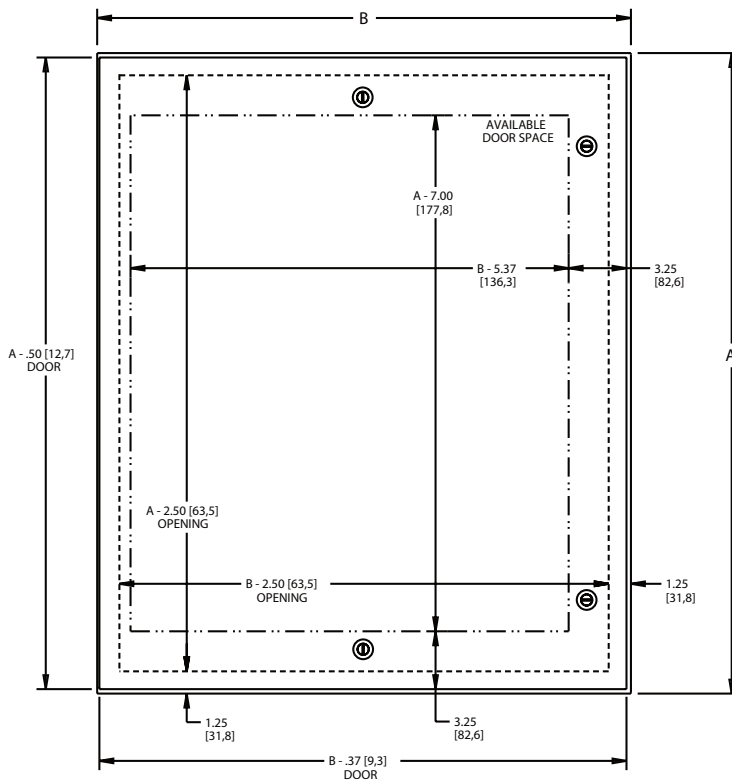
IS4 - Industry Standards -

NEMA Type 3R, 4, 12 & Type 13
UL Listed Type 3R, 4 & 12
CSA Type 3R, 4 & 12
IEC 60529 IP66

***Special Instructions apply for IS3, IS4 and IS6 to maintain the environmental rating of Type 3R for these parts. See the Special Instructions on the Industry Standards page in the Technical Information Section.

ENVIROLINE® SERIES SINGLE-DOOR ENCLOSURES

TECHNICAL DATA



SECTION A-A

SUB-PANEL NOTES:

Dimensions are from the inside of the door
 C + 0.32 [8,1] for flat sub-panels
 C - 0.18 [4,5] for bent sub-panels

LATCH NOTES:

Enclosures < 24.00" [609,6] in height require only one latch centered on door.
 Enclosures >= 24.00" [609,6] and < 40.00" [1016] in height require two latches on door.
 Enclosures >= 40.00" [1016] require three latches on door.
 Omit center latch top and bottom of door when door width is <= 30.00" [762]

Phone (989) 799-6871
 Fax (989) 799-4524



1 Operator System Enclosures
 2 Wall-Mount Enclosures
 3 Free-Standing & Floor-Mounted Enclosures
 4 Modular Enclosures
 5 Operator System Enclosures (Stainless Steel)
 6 Wall-Mount Enclosures (Stainless Steel)
 7 Free-Standing & Floor-Mounted Enclosures (Stainless Steel)
 8 Non-Metallic Enclosures
 9 Accessories
 10 Technical Information
 11 Index