

General Purpose Type 1 Enclosures

Application -

Designed to house electrical controls, instruments and components in areas that do not require oil, water and dust tight protection. For installation information, consult our Installation Manual at www.saginawcontrol.com.

Construction -

- 0.048", 0.060" & 0.075" carbon steel depending on its size.
- Spot weld construction.
- Standoffs provided for mounting optional sub-panels.
- Butt hinge.
- Doors open 180 degrees.
- Black quarter turn latches.
- Latches are opened or closed with a screwdriver.
- Ground stud on door and body.
- Mounting holes in back of enclosure.
- Sub-panel mounting hardware included.

Options -

- Tamper-resistant inserts available.
- Optional mounting straps available.

Finish -

ANSI-61 gray powder coated inside and out. Optional sub-panels powder coated white.

IS8 - Industry Standards -

NEMA Type 1
UL Listed Type 1
CSA Type 1
IEC 60529 IP30



GENERAL PURPOSE TYPE 1 ENCLOSURES

ENCLOSURE PRODUCT CODE N1						SUB-PANEL (N1)			
Catalog No.	Height (A)	Width (B)	Depth (C)	Industry Standard	List Price	Catalog No.	Panel Height (D)	Panel Width (E)	List Price
SCE-6N604LP	6.00	6.00	4.00	IS8	30.27	SCE-6N6MP	4.00	4.00	2.82
SCE-8N604LP	8.00	6.00	4.00	IS8	33.04	SCE-8N6MP	6.00	4.00	3.26
SCE-8N804LP	8.00	8.00	4.00	IS8	36.68	SCE-8N8MP	6.00	6.00	3.82
SCE-8N806LP	8.00	8.00	6.00	IS8	41.28	SCE-8N8MP	6.00	6.00	3.82
SCE-10N804LP	10.00	8.00	4.00	IS8	40.29	SCE-10N8MP	8.00	6.00	4.46
SCE-10N806LP	10.00	8.00	6.00	IS8	45.52	SCE-10N8MP	8.00	6.00	4.46
SCE-10N1004LP	10.00	10.00	4.00	IS8	40.92	SCE-10N10MP	8.00	8.00	5.27
SCE-10N1006LP	10.00	10.00	6.00	IS8	50.23	SCE-10N10MP	8.00	8.00	5.27
SCE-12N1004LP	12.00	10.00	4.00	IS8	48.44	SCE-12N10MP	10.00	8.00	6.03
SCE-12N1006LP	12.00	10.00	6.00	IS8	54.80	SCE-12N10MP	10.00	8.00	6.03
SCE-12N1204LP	12.00	12.00	4.00	IS8	53.05	SCE-12N12MP	10.00	10.00	7.10
SCE-12N1206LP	12.00	12.00	6.00	IS8	60.13	SCE-12N12MP	10.00	10.00	7.10
SCE-12N1208LP	12.00	12.00	8.00	IS8	67.14	SCE-12N12MP	10.00	10.00	7.10
SCE-14N1204LP	14.00	12.00	4.00	IS8	57.79	SCE-14N12MP	12.00	10.00	7.92
SCE-14N1206LP	14.00	12.00	6.00	IS8	65.46	SCE-14N12MP	12.00	10.00	7.92
SCE-14N1208LP	14.00	12.00	8.00	IS8	73.08	SCE-14N12MP	12.00	10.00	7.92
SCE-16N1206LP	16.00	12.00	6.00	IS8	98.04	SCE-16N12MP	14.00	10.00	11.58
SCE-16N1208LP	16.00	12.00	8.00	IS8	106.84	SCE-16N12MP	14.00	10.00	11.58
SCE-16N1606LP	16.00	16.00	6.00	IS8	109.57	SCE-16N16MP	14.00	14.00	19.21
SCE-16N1608LP	16.00	16.00	8.00	IS8	119.19	SCE-16N16MP	14.00	14.00	19.21
SCE-16N2006LP	16.00	20.00	6.00	IS8	121.09	SCE-20N16MP	18.00	14.00	21.62
SCE-20N1606LP	20.00	16.00	6.00	IS8	121.09	SCE-20N16MP	18.00	14.00	21.62
SCE-20N1608LP	20.00	16.00	8.00	IS8	132.41	SCE-20N16MP	18.00	14.00	21.62
SCE-20N2006LP	20.00	20.00	6.00	IS8	132.99	SCE-20N20MP	18.00	18.00	27.84
SCE-20N2008LP	20.00	20.00	8.00	IS8	145.52	SCE-20N20MP	18.00	18.00	27.84
SCE-20N2010LP	20.00	20.00	10.00	IS8	158.06	SCE-20N20MP	18.00	18.00	27.84
SCE-24N1606LP	24.00	16.00	6.00	IS8	131.91	SCE-24N16MP	22.00	14.00	22.89
SCE-24N2006LP	24.00	20.00	6.00	IS8	147.17	SCE-24N20MP	22.00	18.00	31.67
SCE-24N2008LP	24.00	20.00	8.00	IS8	161.03	SCE-24N20MP	22.00	18.00	31.67
SCE-24N2010LP	24.00	20.00	10.00	IS8	174.83	SCE-24N20MP	22.00	18.00	31.67
SCE-24N2406LP	24.00	24.00	6.00	IS8	149.12	SCE-24N24MP	22.00	22.00	36.97
SCE-24N2408LP	24.00	24.00	8.00	IS8	164.32	SCE-24N24MP	22.00	22.00	36.97
SCE-24N2412LP	24.00	24.00	12.00	IS8	194.33	SCE-24N24MP	22.00	22.00	36.97
SCE-30N2406LP	30.00	24.00	6.00	IS8	165.84	SCE-30N24MP	28.00	22.00	43.99
SCE-30N2408LP	30.00	24.00	8.00	IS8	184.23	SCE-30N24MP	28.00	22.00	43.99
SCE-30N2412LP	30.00	24.00	12.00	IS8	216.79	SCE-30N24MP	28.00	22.00	43.99
SCE-30N3008LP	30.00	30.00	8.00	IS8	207.99	SCE-30N30MP	28.00	28.00	58.07
SCE-36N2406LP	36.00	24.00	6.00	IS8	192.87	SCE-36N24MP	34.00	22.00	52.80
SCE-36N2408LP	36.00	24.00	8.00	IS8	211.73	SCE-36N24MP	34.00	22.00	52.80
SCE-36N2412LP	36.00	24.00	12.00	IS8	245.16	SCE-36N24MP	34.00	22.00	52.80
SCE-36N3006LP	36.00	30.00	6.00	IS8	211.16	SCE-36N30MP	34.00	28.00	70.39
SCE-36N3008LP	36.00	30.00	8.00	IS8	231.98	SCE-36N30MP	34.00	28.00	70.39
SCE-36N3012LP	36.00	30.00	12.00	IS8	273.50	SCE-36N30MP	34.00	28.00	70.39

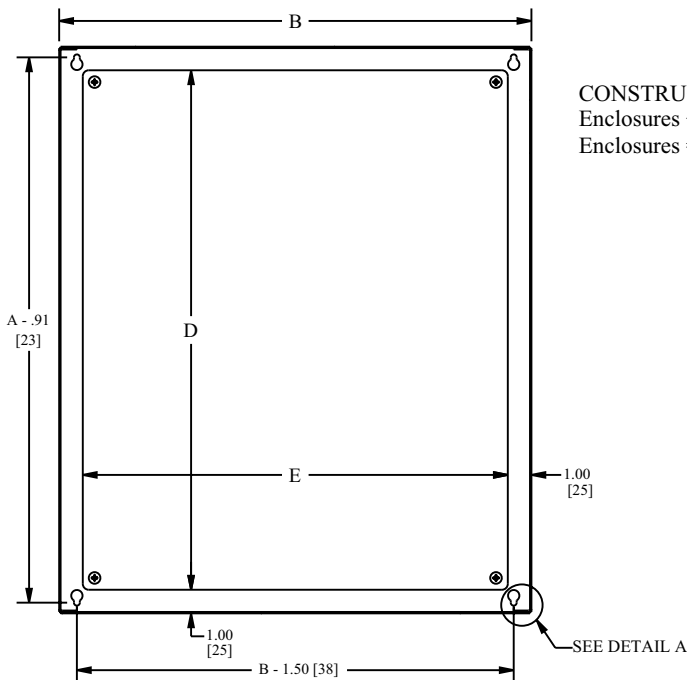
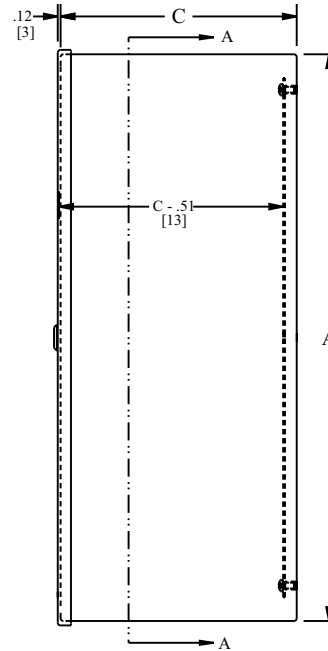
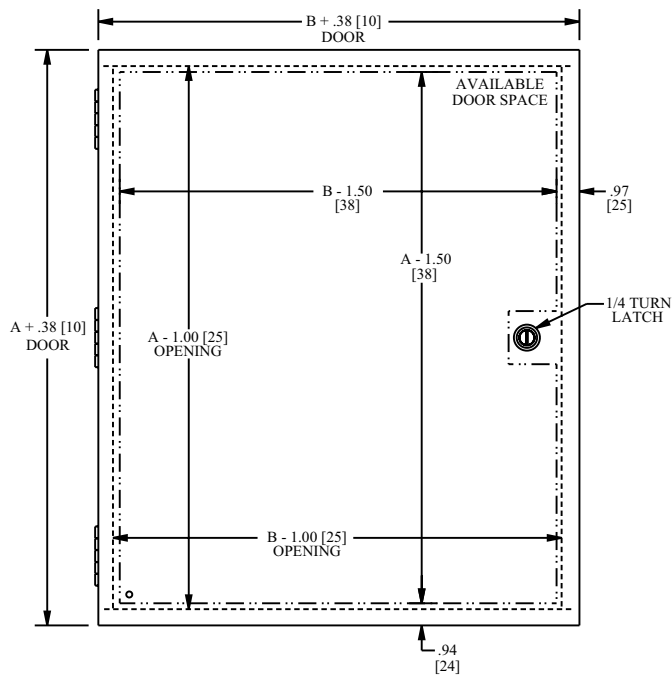
**Perforated sub-panels available in the accessory section.*

Phone (989) 799-6871
Fax (989) 799-4524

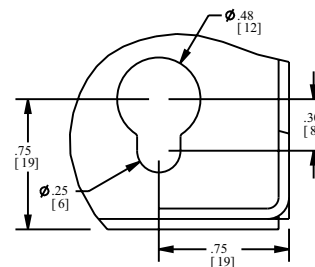


GENERAL PURPOSE TYPE 1 ENCLOSURES

TECHNICAL DATA



CONSTRUCTION NOTES:
 Enclosures < 24.00" [610] wide are made of 0.060" [2] material.
 Enclosures => 24.00" [610] wide are made of 0.075" [2] material.



DETAIL A

SECTION A-A