

Single-Door Enclosures For Flange-Mounted Disconnects with SCE Door Hardware

Application -

Designed to house most standard type disconnects. For outdoor application a drip shield is recommended. For installation information, consult our Installation Manual at www.saginawcontrol.com.

Construction -

- 0.075" carbon steel.
- Seams continuously welded and ground smooth.
- Flange trough collar around all sides of door opening.
- Concealed hinges.
- Removable print pocket.
- Oil-resistant gasket.
- Collar studs provided for mounting optional sub-panels.
- Cutouts provided in flange for mounting disconnect operating handle.
- Ground stud on door and body.
- 3-point latching mechanism.
- Black zinc die cast coinproof/padlocking handle.
- Welded mounting provision top and bottom of back.
- Provision for Lifting Lugs included on enclosures with Height >48" and with Depth >16". Lifting Lug assembly will be included with the enclosure bolt pack hole plugs provided to seal holes in bottom of enclosure.

Disconnect switch (or circuit breaker) and operating mechanism are not furnished with this enclosure.

Finish -

ANSI-61 gray powder coated inside and out. Optional sub-panels powder coated white.

IS3 - Industry Standards -

NEMA Type 3R, 12 & Type 13
UL Listed Type 3R & 12
CSA Type 3R & 12
IEC 60529 IP55

***Special Instructions apply for IS3, IS4 and IS6 to maintain the environmental rating of Type 3R for these parts. See the Special Instructions on the Industry Standards page in the Technical Information Section.

SINGLE-DOOR ENCLOSURES FOR FLANGE-MOUNTED DISCONNECTS WITH SCE DOOR HARDWARE

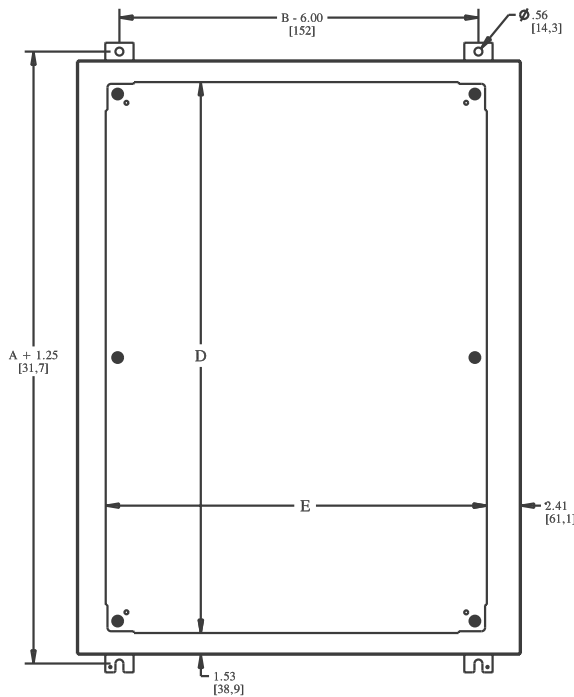
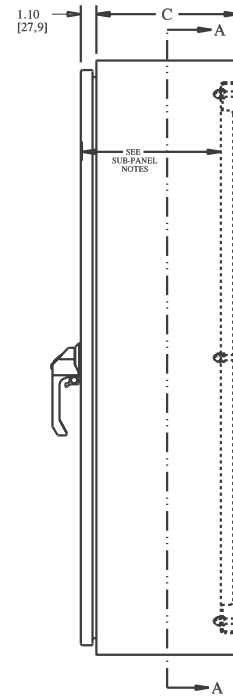
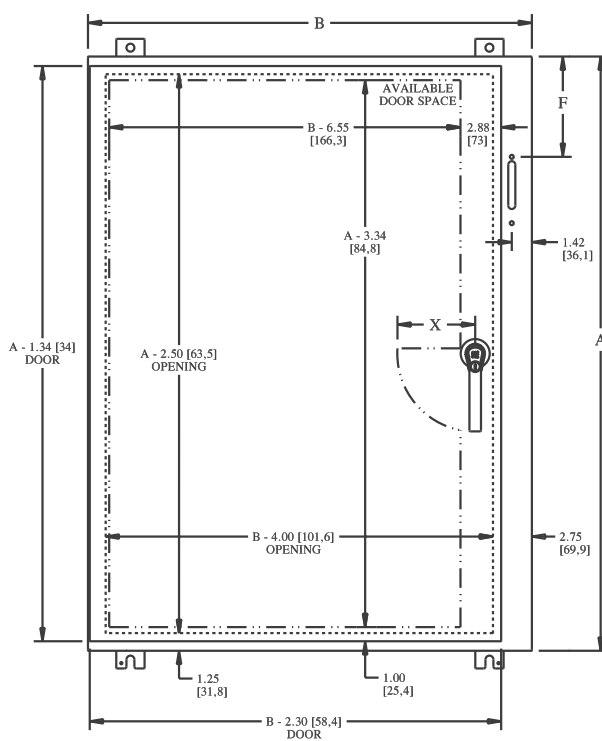
ENCLOSURE PRODUCT CODE A5						SUB-PANEL (P3)			
Catalog No.	Height (A)	Width (B)	Depth (C)	Industry Standard	List Price	Catalog No.	Panel Height (D)	Panel Width (E)	List Price
SCE-20SA2208LPPL	20.00	21.38	8.00	IS3	465.86	SCE-20P20	17.00	17.00	35.44
SCE-20SA2210LPPL	20.00	21.38	10.00	IS3	483.60	SCE-20P20	17.00	17.00	35.44
SCE-24SA2208LPPL	24.00	21.38	8.00	IS3	491.19	SCE-24P20	21.00	17.00	45.57
SCE-24SA2210LPPL	24.00	21.38	10.00	IS3	511.43	SCE-24P20	21.00	17.00	45.57
SCE-24SA2212LPPL	24.00	21.38	12.00	IS3	455.45	SCE-24P20	21.00	17.00	45.57
SCE-24SA2608LPPL	24.00	25.38	8.00	IS3	521.57	SCE-24P24	21.00	21.00	53.18
SCE-24SA2610LPPL	24.00	25.38	10.00	IS3	541.83	SCE-24P24	21.00	21.00	53.18
SCE-30SA2208LPPL	30.00	21.38	8.00	IS3	529.16	SCE-30P20	27.00	17.00	55.70
SCE-30SA2210LPPL	30.00	21.38	10.00	IS3	554.48	SCE-30P20	27.00	17.00	55.70
SCE-30SA2608LPPL	30.00	25.38	8.00	IS3	564.62	SCE-30P24	27.00	21.00	63.29
SCE-30SA2610LPPL	30.00	25.38	10.00	IS3	589.92	SCE-30P24	27.00	21.00	63.29
SCE-30SA2612LPPL	30.00	25.38	12.00	IS3	615.25	SCE-30P24	27.00	21.00	63.29
SCE-36SA2608LPPL	36.00	25.38	8.00	IS3	594.99	SCE-36P24	33.00	21.00	75.96
SCE-36SA2610LPPL	36.00	25.38	10.00	IS3	638.03	SCE-36P24	33.00	21.00	75.96
SCE-36SA3208LPPL	36.00	31.38	8.00	IS3	670.95	SCE-36P30	33.00	27.00	101.27
SCE-36SA3210LPPL	36.00	31.38	10.00	IS3	703.87	SCE-36P30	33.00	27.00	101.27
SCE-36SA3212LPPL	36.00	31.38	12.00	IS3	734.24	SCE-36P30	33.00	27.00	101.27
SCE-36SA3216LPPL	36.00	31.38	16.00	IS3	792.49	SCE-36P30	33.00	27.00	101.27
SCE-42SA3208LPPL	42.00	31.38	8.00	IS3	726.65	SCE-42P30	39.00	27.00	116.47
SCE-42SA3210LPPL	42.00	31.38	10.00	IS3	759.57	SCE-42P30	39.00	27.00	116.47
SCE-42SA3212LPPL	42.00	31.38	12.00	IS3	792.49	SCE-42P30	39.00	27.00	116.47
SCE-42SA3216LPPL	42.00	31.38	16.00	IS3	849.45	SCE-42P30	39.00	27.00	116.47
SCE-42SA3808LPPL	42.00	37.38	8.00	IS3	795.01	SCE-42P36	39.00	33.00	136.72
SCE-42SA3810LPPL	42.00	37.38	10.00	IS3	830.47	SCE-42P36	39.00	33.00	136.72
SCE-42SA3812LPPL	42.00	37.38	12.00	IS3	868.44	SCE-42P36	39.00	33.00	136.72
SCE-42SA3816LPPL	42.00	37.38	16.00	IS3	917.82	SCE-42P36	39.00	33.00	136.72
SCE-48SA2610LPPL	48.00	25.38	10.00	IS3	868.44	SCE-48P24	45.00	21.00	98.74
SCE-48SA3808LPPL	48.00	37.38	8.00	IS3	858.30	SCE-48P36	45.00	33.00	154.46
SCE-48SA3810LPPL	48.00	37.38	10.00	IS3	896.29	SCE-48P36	45.00	33.00	154.46
SCE-48SA3812LPPL	48.00	37.38	12.00	IS3	936.81	SCE-48P36	45.00	33.00	154.46
SCE-48SA3816LPPL	48.00	37.38	16.00	IS3	1,015.30	SCE-48P36	45.00	33.00	154.46
SCE-60SA3808LPPL	60.00	37.38	8.00	IS3	979.84	SCE-60P36	57.00	33.00	189.89
SCE-60SA3810LPPL	60.00	37.38	10.00	IS3	1,025.41	SCE-60P36	57.00	33.00	189.89
SCE-60SA3812LPPL	60.00	37.38	12.00	IS3	1,071.00	SCE-60P36	57.00	33.00	189.89
SCE-60SA3816LPPL	60.00	37.38	16.00	IS3	1,159.60	SCE-60P36	57.00	33.00	189.89



Phone (989) 799-6871
Fax (989) 799-4524



SINGLE-DOOR ENCLOSURES FOR FLANGE-MOUNTED DISCONNECTS TECHNICAL DATA



SECTION A-A

SUB-PANEL NOTES:

Dimensions are from the inside of the door
 $C + .32$ [8,1] for flat sub-panels
 $C - .18$ [4,5] for bent sub-panels

DISCONNECT NOTES:

$F = 4.75$ [121] when $C = 8.00$ [203]
 $F = 7.09$ [180] when $C = 10.00$ [254]
 $F = 11.62$ [295] when $C = 12.00$ [304]
 $F = 11.62$ [295] when $C = 16.00$ [406]
 $F = 18.38$ [467] for SCE-60SA3824LPPL

HANDLE NOTES:

On enclosures ≤ 42.00 [1067]
 $X = 5.50$ [140] and use 5.00 [127]
 padlocking handle with coin-proof.

On enclosures > 42.00 [1067]
 $X = 6.75$ [171] and use 7.00 [178]
 padlocking handle with coin-proof.

Enclosures with a height dimension < 40.00 [1016] have a 2-point door closing mechanism.

Enclosures with a height dimension of ≥ 40.00 [1016] have a 3-point door latching mechanism.



Phone (989) 799-6871
 Fax (989) 799-4524